

Open Printing Reference Model

Version: 0.01

Date: May 18, 2004

Authors (Alphabetical)

<i>Authors</i>	<i>Company</i>	<i>Email</i>
Claudia Alimpich	International Business Machines	alimpich@us.ibm.com
Mark Hamzy	International Business Machines	hamzy@us.ibm.com
Norm Jacobs	SUN	Norm.Jacobs@Sun.com
Till Kampeter	Mandrake	till.kampeter@gmx.net
Ira McDonald	Sharp Labs	imcdonald@sharplabs.com
Glen Petrie (editor)	EPSON	glen.petrie@eitc.epson.com

Abstract

The Open Printing Reference Model

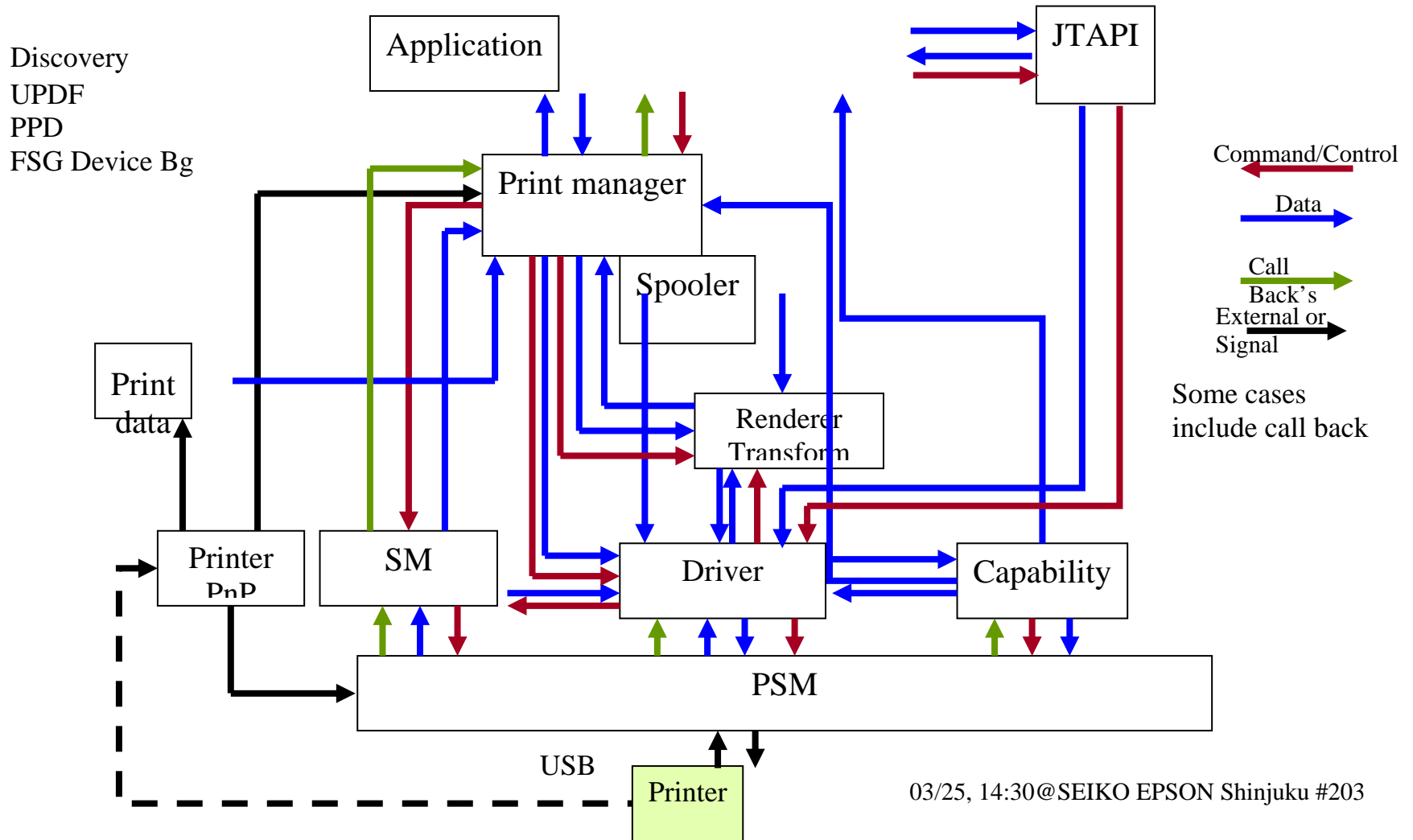
Table of Content

Summary	3
Architectural Reference Model.....	4
Architectural Reference Model Description	5
Project Plan	Error! Bookmark not defined.

Summary

The purpose of this document is provide a description of the Open Printing Architecture Reference Model

Architectural Reference Model



Architectural Reference Model Description

Top Level
Application
JTAPI
Print Manager
Spooler
Renderer/Transform
Print Data
Printer PnP
Status Monitoring
Print-Stream Manager
Driver
Capability

xyz